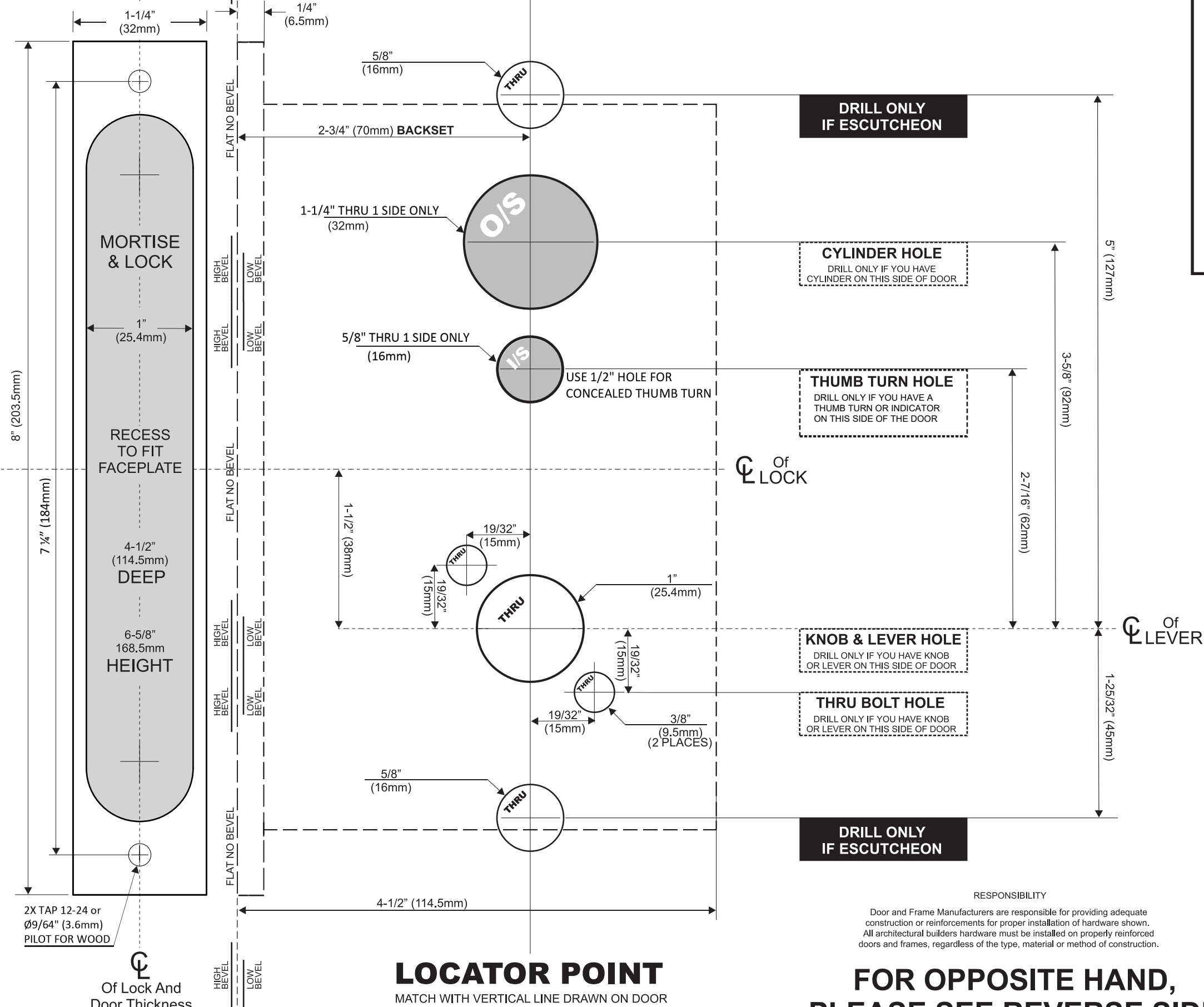
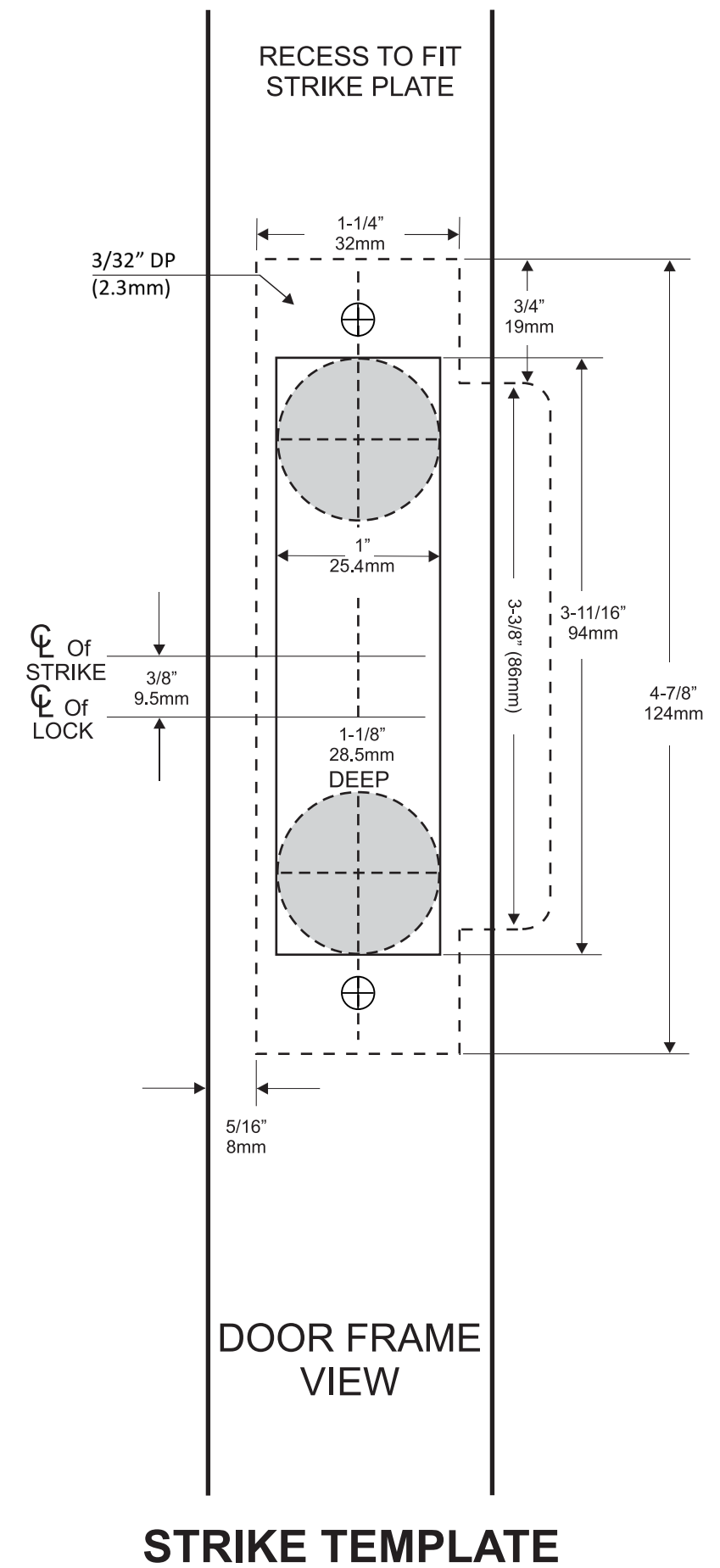


MORTISE TEMPLATE



REGULAR

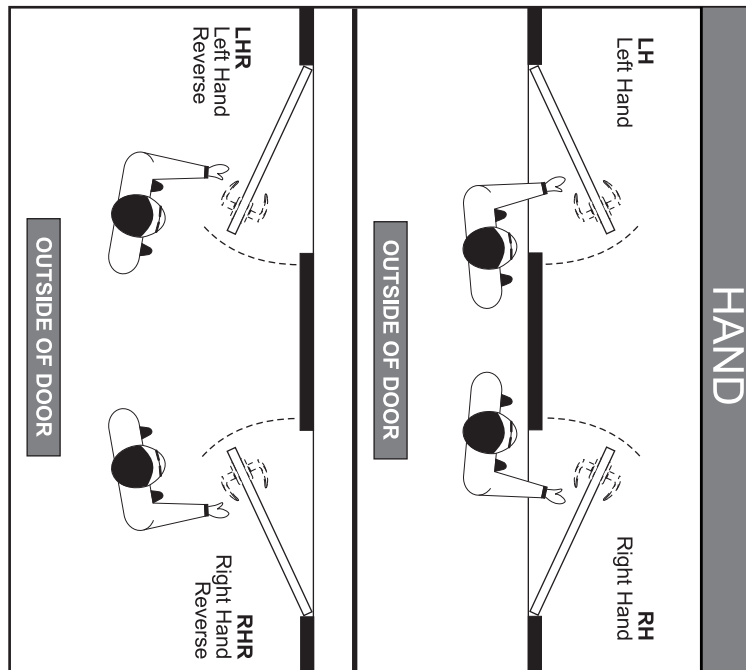


LOCK FUNCTION	OUTSIDE				INSIDE		
	Lever Hole	Cylinder Hole	Thumb Turn Hole	Lever Hole	Cylinder Hole	Thumb Turn Hole	
01	●	●	●	●	●	●	
04 / 05 / 06 / 07	●	●	●	●	●	●	
13 / 15 / 20 / 21 / 26	●	●	●	●	●	●	
09 / 11 / 14 / 30 / 32 / 34 / 35	●	●	●	●	●	●	
AT FUNCTION	●	●	●	●	●	●	
18	●	●	●	●	●	●	
17 / 29	●	●	●	●	●	●	
16	●	●	●	●	●	●	
ADD THIS HOLE ON SIDE W INDICATOR	●	●	●	●	●	●	

DOOR PREPARATION CHART

LOCK POSITION
HEAVY DUTY MORTISE

WITH INDICATOR ADD THIS HOLE
WITH INDICATOR ADD THIS HOLE



MORTISE TEMPLATE

